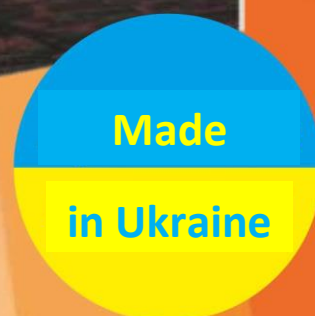


Technical Data Sheet

Thermal ceramic panels



africa.com.ua



SPHERE OF APPLICATION

AFRICA Ceramic electric heating panel is used as a component of heating the premises belonging to various types: residential, industrial, domestic, school and preschool ones, medical and public institutions, including the ones characterized with high humidity and dust level.

The Panel is manufactured by Climate System Factory LLC following TU U 27.5-41195750-001:2017 technical specifications.

Prior to start operation, read this manual carefully and follow the recommendations indicated herein.

PACKAGE CONTENTS

panel - 1 pc.
mounting slats - 2 pcs.
dowel pin - 4 pcs.

screw - 4 pcs.
operation manual - 1 pc.
power supply cord - 1 pc.

INSTALLATION

As a matter of course, make sure that the electrical equipment and the power supply network are not damaged. During installation earthing must be provided for.

Circuit breaker assembly and cord cross-cut shall be selected in compliance with the number of installed panels in terms of aggregate power.

The panel must be installed and connected by a qualified specialist or electrical and mounting agency.

The panel shall be attached to a wall at a height of at least 8 - 15 cm above a floor level by slats using dowel pins that are included in the delivery package, or using other fasteners, depending on the base.

Attention! Heaters must be installed on concrete, stone or metal surfaces. Under no circumstances install the heating appliance on flammable surfaces.

Installation order:

1. Determine and drill the dowel pin holes that are supplied with the appliance. Use wall mounting brackets as a template.
2. Insert dowel pins into the holes and screw in the quick-release screws leaving a 5-mm free distance to a wall.
3. Screw the supplied brackets to the appliance's back wall using screws.
4. Connect the bracket holes and screws on the surface, and depress the appliance in order to secure the fastening.

THE FOLLOWING IS FORBIDDEN:

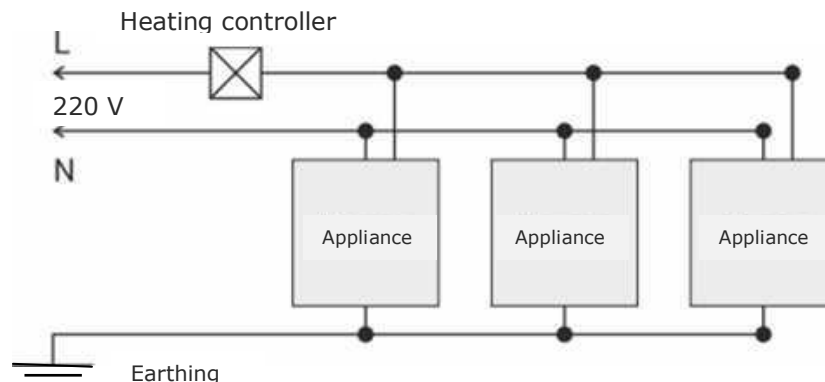
To cover the Panel housing, and, much less - to dry clothing, shoes and other items on the Panel (except for towel dryers fitted with special slats).

Operation with apparent mechanical damage and housing defects.

To submerge the panel in water or pour on it water or other liquids, including combustible and chemically active ones.

To bring flammable objects and substances closely to the panel working surfaces.

CONNECTION DIAGRAM



PERFORMANCE SPECIFICATION OF THE MODEL LINE-UP

A Series

(control-less)

| MODEL | A370, A400 | A500, A510 | A700 | A1000 | A1300 |
|-----------------|------------|-------------|------------|------------|-------------|
| HEATING, sq.m. | 7-10* | 13-15* | 16-20* | 20-28* | 28-36* |
| HEATING, cub.m. | 17-25* | 33-38* | 40-50* | 50-70* | 70-90* |
| SIZE, mm | 600x600x12 | 1020x475x12 | 600x600x57 | 600x600x82 | 600x1020x57 |
| WEIGHT, kg | 9 | 16 | 15 | 24 | 25 |
| VOLTAGE, V | 220 | 220 | 220 | 220 | 220 |
| IP RATING | IP44 | IP44 | IP44 | IP44 | IP44 |
| POWER, W | 370 | 500 | 700±5% | 1000±5% | 1300±5% |

T Series

(with embedded heating controller)

| MODEL | T370 | T500, T510 | T700 | T1000 | T1300 |
|-----------------|------------|-------------|------------|------------|-------------|
| HEATING, sq.m. | 7-10* | 13-15* | 16-20* | 20-28* | 28-36* |
| HEATING, cub.m. | 17-25* | 33-38* | 40-50* | 50-70* | 70-90* |
| SIZE, mm | 600x600x12 | 1020x475x12 | 600x600x57 | 600x600x82 | 600x1020x57 |
| WEIGHT, kg | 12 | 16 | 16 | 24 | 25 |
| VOLTAGE, V | 220 | 220 | 220 | 220 | 220 |
| IP RATING | IP44 | IP44 | IP44 | IP44 | IP44 |
| POWER, W | 370 | 500 | 700±5% | 1000±5% | 1300±5% |

X Series

(with embedded heating timer)

| MODEL | X550 | X750, X760 | X900 | X1200 | X1500 |
|-----------------|------------|-------------|------------|------------|-------------|
| HEATING, sq.m. | 7-10* | 13-15* | 16-20* | 20-28* | 28-36* |
| HEATING, cub.m. | 17-25* | 33-38* | 40-50* | 50-70* | 70-90* |
| SIZE, mm | 600x600x12 | 1020x475x12 | 600x600x57 | 600x600x82 | 600x1020x57 |
| WEIGHT, kg | 12 | 16 | 16 | 24 | 25 |
| VOLTAGE, V | 220 | 220 | 220 | 220 | 220 |
| IP RATING | IP44 | IP44 | IP44 | IP44 | IP44 |
| POWER, W | 550 | 750 | 900±5% | 1200±5% | 1500±5% |

Housing metal: ceramic granite, metal
Maximum heating temperature: 80+/-5°C

Operating life: 25 years

* The indicators are valid provided that the premises are heat-insulated, and that the minimum allowable temperature in residential premises is maintained in conformity with the National Standard of Ukraine

* Heating area is indicated provided that the premises height makes 2.5 meters

PERFORMANCE SPECIFICATION OF THE TOWEL DRYER MODEL LINE-UP

| MODEL | T520P (LEO) T530P (LOTOS) | X520P (LEO-X) X530P (LOTOS-X) | A300P1 (Colibri-A1) A300P2 (Colibri-A2) | T300P1 (Colibri-T1) T300P2 (Colibri-T2) | X300P1 (Colibri-X1) X300P2 (Colibri-X2) |
|---------------------------------|---|---|--|--|--|
| HEATING, sq.m. | 11.5-13.5* | 11.5-13.5* | 5-7* | 5-7* | 5-7* |
| HEATING, cub.m. | 28.75-33.75* | 28.75-33.75* | 12.5-17.5* | 12.5-17.5* | 12.5-17.5* |
| SIZE, mm | $\frac{475 \times 1020 \times 12}{475 \times 1020 \times 10}$ | $\frac{475 \times 1020 \times 12}{475 \times 1020 \times 10}$ | 475x600x12 | 475x600x12 | 475x600x12 |
| WEIGHT, kg | $\frac{17}{14}$ | $\frac{17}{14}$ | 11 | 11 | 11 |
| FRONT SURFACE MATERIAL, COLOR | Ceramics, beige, graphite Glass ceramic, beige, black | Ceramics, beige, graphite Glass ceramic, beige, black | Ceramics, beige, graphite, black | Ceramics, beige, graphite, black | Ceramics, beige, graphite, black |
| VOLTAGE, V | 220 | 220 | 220 | 220 | 220 |
| IP RATING | IP44 | IP44 | IP44 | IP44 | IP44 |
| POWER, W | 450 | 450 | 250±5% | 250±5% | 250±5% |
| RAILING NUMBER, STAINLESS STEEL | 4 | 4 | $\frac{1}{2}$ | $\frac{1}{2}$ | $\frac{1}{2}$ |
| ON/OFF BUTTON | + | - | + | + | - |
| POWER CONTROLLER | + | - | - | + | - |
| EMBEDDED HEATING TIMER | - | + | - | - | + |

The maximum temperature on the towel dryer surface - up to 75°C.

MAINTENANCE OPERATIONS

The panel does not need any special service maintenance operations.

Disconnect the heater from the power mains before cleaning.

Make sure that the heater has completely cooled down prior to cleaning.

The appliance can only be cleaned using a soft cotton cloth. The cloth may be slightly moistened. After that, wipe it dry, leaving no stains.

Make sure that the heater is completely dry prior to connect it to the power mains.

Attention! Do not use corrosive detergents, as well as the products containing abrasive materials. The surface (pattern) may be damaged.

WARRANTY LIABILITIES

The manufacturer guarantees uninterrupted operation during 5 years from the date of sale, provided that the operation rules are observed. During the warranty period the manufacturer undertakes to execute free overhaul or replacement of the failed equipment, provided that warranty events occurred.

The warranty does not cover the faults caused by wrong operation of electrical appliances.

Some cases that are not covered by the warranty liabilities:

- Faults caused by wrong operation of electrical appliances.
- Damage that occurred after the goods are accepted by a consumer, during transportation or unloading and loading operations.
- Damage and faults that occurred during the electrical appliance operation due to increased or decreased voltage in the power mains, electrical wiring faults, or the frequency and waveform (sinusoidal wave) of electric current do not comply with the standards established for this type of electrical appliances.
- Faults and damage caused by the appliances' overhaul in unauthorized workshops or service centers.
- Improper installation or dismantling.

Read the Quality Warranty Card carefully and make sure that it is filled in correctly.

Carefully inspect the product's appearance and its completeness, submit all claims over the product's appearance and completeness to the Seller when purchasing the product.

Warranty service of the appliance purchased by you shall be implemented through the Seller or specialized service centers.

For all issues associated with the product's maintenance, please contact specialized service centers.

Detailed information regarding the service centers authorized to conduct overhaul and maintenance of the product is available on the website.

Attention! In case of the appliance's fault during the established warranty period, the appliance shall be delivered to a specialized service center along with the package and the Quality Warranty Card. In case of a missing even one item, the warranty overhaul shall not be executed.

The service center address :

The city of Dnipro,
Bohdan Khmelnytsky Avenue, 208-B

The service center phone:

+38 067 537-57-32

MODEL

SERIAL NUMBER

DATE OF SALE

THE SELLER

L.S.